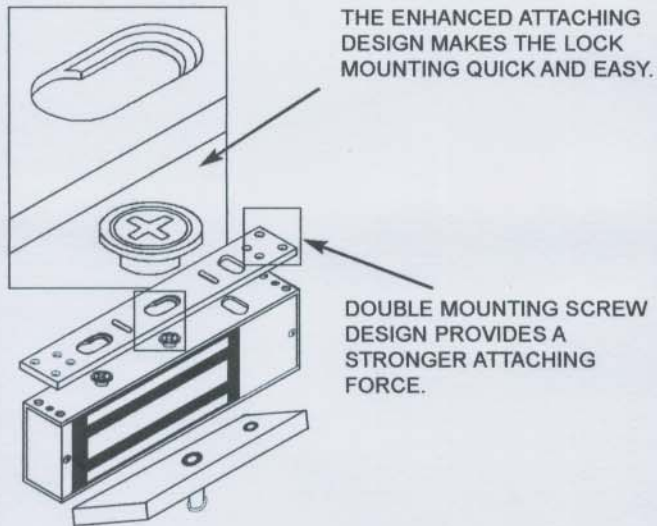
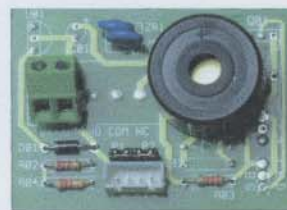


U.L. LISTED MAGNETIC LOCKS FOR ALL ACCESS CONTROL APPLICATIONS

E-Z MOUNT DESIGN FOR SUPERIOR FASTENING



MODEL JBS-1 AUDIO INDICATOR MODULE



THIS MODULE WILL SOUND AS A MAGNETIC LOCK IS BEING UN-LOCKED. AFTER POWER IS REMOVED FROM LOCK, A THREE TO FIVE SECOND TONE WILL EMANATE FROM THE MODULE INSIDE THE LOCK INDICATING THAT THE LOCK IS UN-LOCKED. THIS MODULE WILL OPERATE ON THE STANDARD TWO WIRE CONNECTION TO THE LOCK. NO ADDITIONAL WIRING IS REQUIRED.

- PATENT PENDING
- SOUND LEVEL 80 db @ 3 FEET
- MODULE REPLACES EXISTING CIRCUIT BOARD
- VENTED COVER SUPPLIED

ALARM CONTROLS CORPORATION MAGNETIC LOCKS ARE MANUFACTURED TO RIGID STANDARDS AND ARE ASSEMBLED WITH THE FINEST MATERIALS AND WORKMANSHIP.

ALL MAGNETIC LOCKS HAVE A CONDITIONAL LIFETIME WARRANTY, AND WILL BE REPLACED DUE TO DEFECTS IN MATERIAL OR WORKMANSHIP.

THE 600 AND 1200 SERIES MAGNETIC LOCKS ARE U.L. AND CANADA U.L. LISTED. THE LOCKS CONFORM TO U.L. 10B, 10C FOR USE ON SWINGING TYPE FIRE DOORS AND CONVENTIONAL DOORS. ALSO CLASSIFIED IN ACCORDANCE WITH UNIFORM BUILDING CODE STANDARD 7-2, FIRE TEST OF DOOR ASSEMBLIES.

A COMPLETE LINE OF STANDARD AND CUSTOM REQUEST TO EXIT STATIONS ARE AVAILABLE.

IMPORTANT FEATURES

- ALL MAGNETIC LOCKS HAVE A LIMITED LIFETIME WARRANTY
- MAGNETIC LOCKS ARE SUPPLIED WITH A THREAD LOCKING AGENT TO INSURE SECURE ATTACHMENT
- MAGNETIC LOCKS ARE SUPPLIED WITH BOTH WOOD SCREWS AND SELF-TAPPING SHEET METAL SCREWS
- ALL MAGNETIC LOCKS OPERATE ON 12 OR 24 VDC
- ALL MAGNETIC LOCKS HAVE A LOW CURRENT DRAW
- INSTANT RELEASE, NO RESIDUE MAGNETISM
- ALL NON-ALUMINUM PARTS ARE PLATED
- CLEAR ANODIZED US 28 FINISH STANDARD, DURONIC US 40 FINISH AVAILABLE.

ALARM CONTROLS CORPORATION

"QUALITY SECURITY EQUIPMENT SINCE 1971"

19 BRANDYWINE DRIVE, P.O. BOX 280, DEER PARK, NEW YORK 11729

1 800 645-5538 631 586-4220 FAX 631 586-6500

EMAIL: INFO@ALARMCONTROLS.COM WWW.ALARMCONTROLS.COM