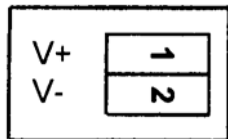


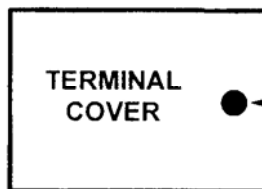
MAGNETIC LOCK WIRING INSTRUCTIONS

MODELS 600S, 600LB, 1200B, 1200D, 1200S, 1200LB

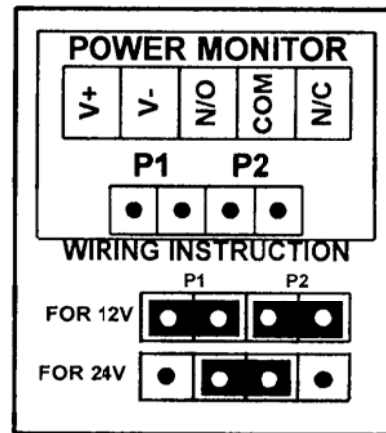
SINGLE DOOR MAGNET



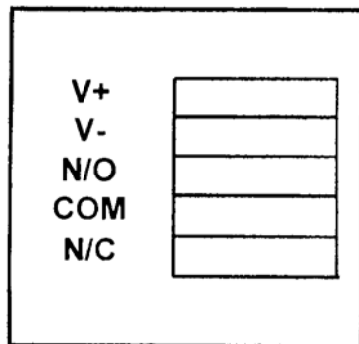
V+ V- POWER IN 12VDC OR 24VDC



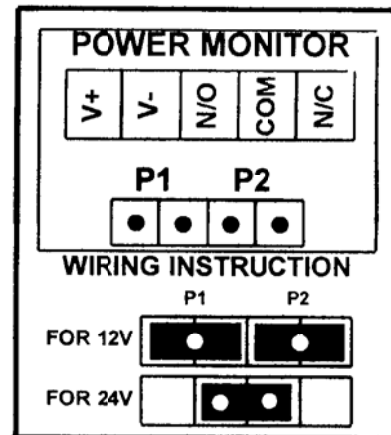
IMPORTANT
REMOVE
TERMINAL
COVER SCREW
TO ACCESS
HEADER MOUNTING
SCREW



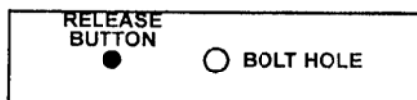
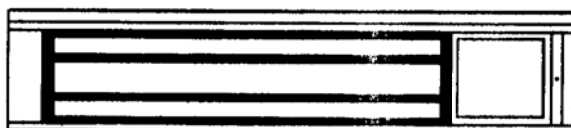
MODELS 600LB, 1200B, 1200D, 1200LB SINGLE DOOR MAGNET WITH SINGLE MONITOR



V+ V- POWER IN 12VDC OR 24VDC
N/O
COM DOOR MONITORING OUTPUT
N/C



ORIENTATION OF MAGNET AND ARMATURE PLATE



INSTALL THE MAGNET AND ARMATURE PLATE AS SHOWN. IF NOT POSITIONED AS SHOWN THE OPERATION OF THE SENSOR OUTPUT MAY BE AFFECTED.