

INSTALLATION INSTRUCTIONS

MORTISE CYLINDER KEY STATION

THE MORTISE CYLINDER KEY STATION HAS BEEN DESIGNED TO ACCOMMODATE ALL STANDARD MORTISE CYLINDERS FROM 1 1/8" TO 1 1/4" IN LENGTH. AN OPTIONAL SINGLE POLE, DOUBLE -THROW TAMPER SWITCH CAN BE ATTACHED TO THE SWITCH BRACKET AS WELL AS AN ADDITIONAL SWITCH.

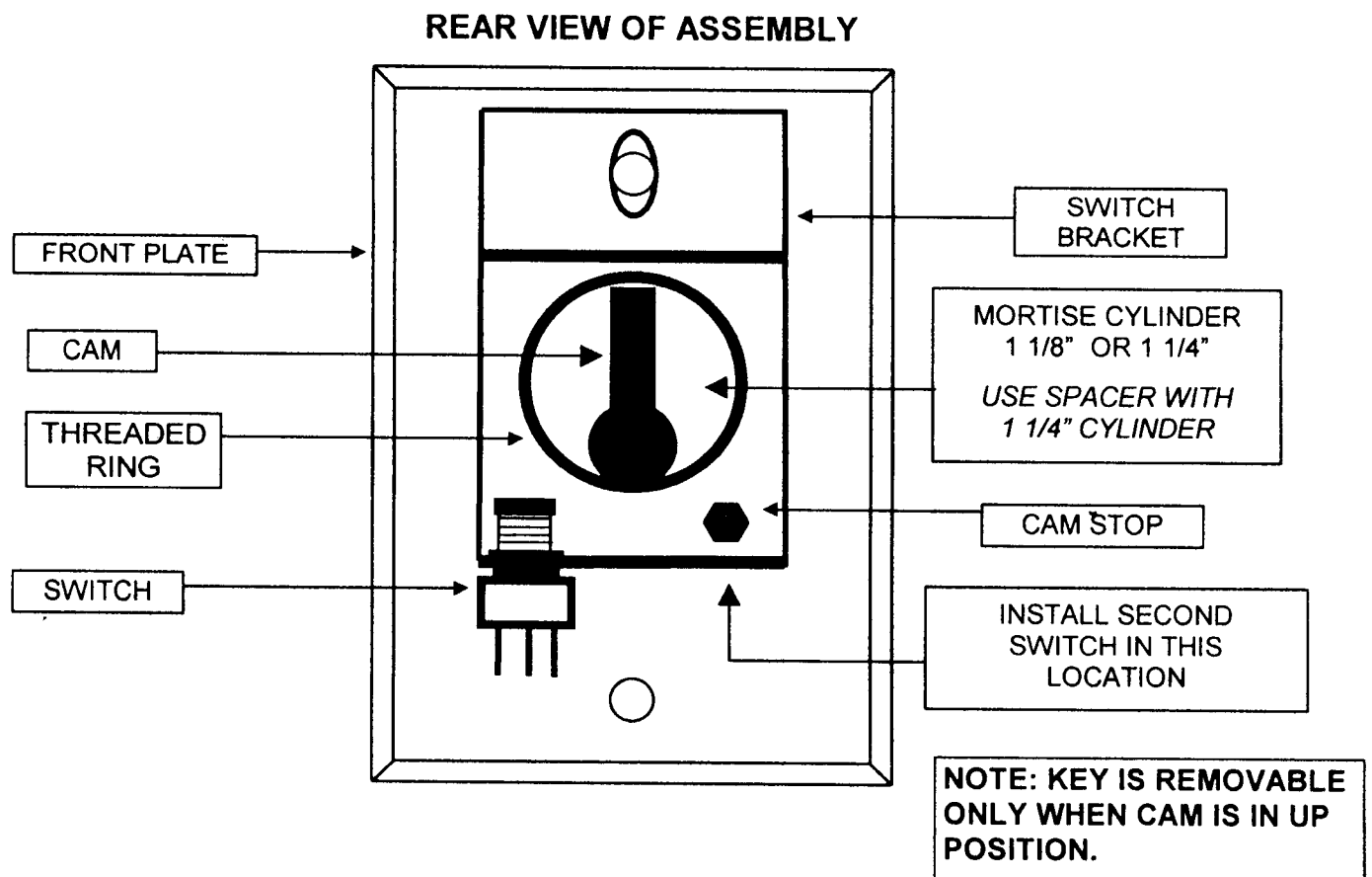
THE SINGLE POLE, DOUBLE -THROW SWITCH THAT HAS BEEN PROVIDED WITH THIS UNIT IS U.L. LISTED AND HAS A CONTACT RATING OF 4 AMPERES AT 28 VDC.

MECHANICAL ASSEMBLY

1. INSERT THE MORTISE CYLINDER THROUGH THE HOLE IN THE FRONT PLATE.
2. POSITION THE SWITCH BRACKET OVER THE MORTISE CYLINDER AND FASTEN WITH THE THREADED RING.
3. DRESS SWITCH LEADS AWAY FROM CAM AND SWITCH ACTUATOR TO INSURE PROPER OPERATION.
4. REMOVE CAM STOP WHEN INSTALLING SECOND SWITCH.

SWITCH CONNECTIONS

BLUE LEAD ← → NORMALLY-OPEN CONTACT
WHITE LEAD ← → COMMON CONTACT
RED LEAD ← → NORMALLY-CLOSED CONTACT

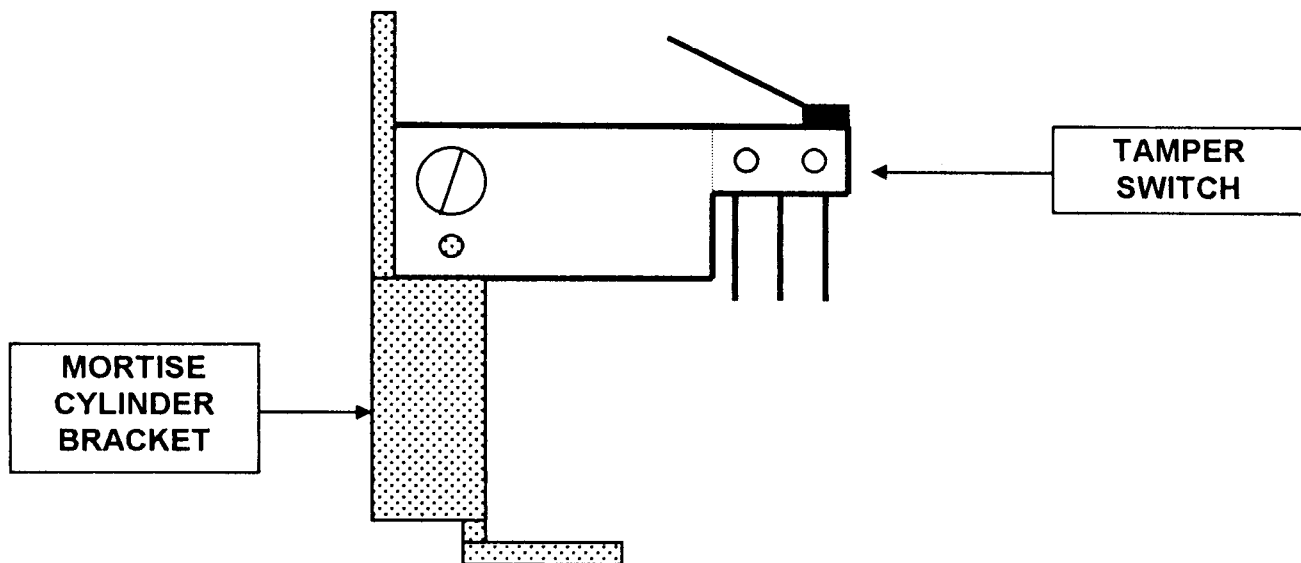


ALARM CONTROLS CORPORATION
MANUFACTURERS OF QUALITY SECURITY EQUIPMENT SINCE 1971
19 BRANDYWINE DRIVE, P.O. BOX 280
DEER PARK, NEW YORK 11729

TAMPER SWITCH INSTALLATION INSTRUCTIONS

FOR USE WITH SINGLE OR DOUBLE GANG ELECTRICAL BOXES

ATTACH THE TAMPER SWITCH BRACKET TO THE MORTISE CYLINDER BRACKET WITH THE 6-32 SELF-TAPPING SCREW AS SHOWN IN THE DIAGRAM BELOW.



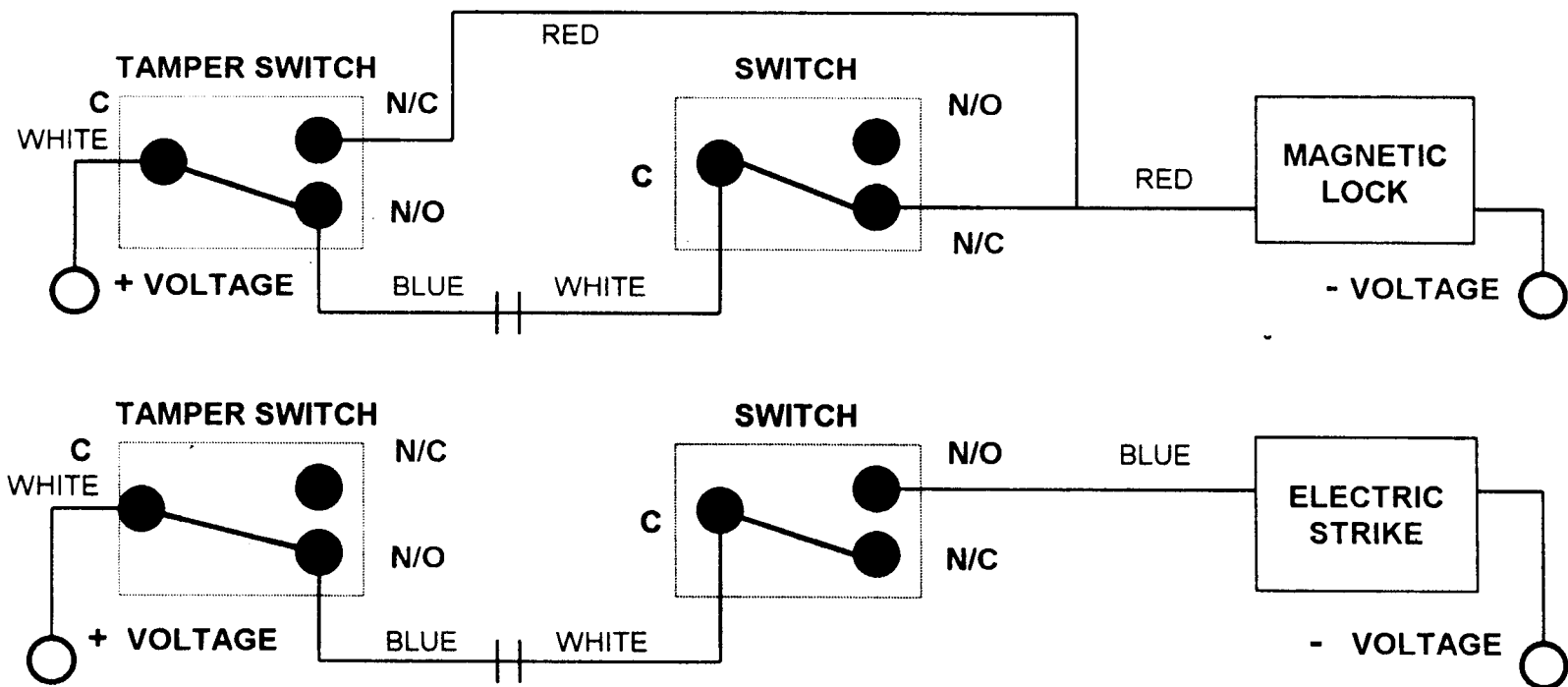
ELECTRICAL SPECIFICATIONS

CONTACT RATING 5 AMPERES
AT 125/250 VOLTS AC

TAMPER SWITCH CONNECTIONS

BLUE LEAD	NORMALLY-OPEN
WHITE LEAD	COMMON
RED LEAD	NORMALLY-CLOSED

TYPICAL TAMPER SWITCH WIRING ARRANGEMENTS (TAMPER SWITCH IS SHOWN AS INSTALLED IN ELECTRICAL BOX)



TAMPER SWITCH CAN BE CONNECTED TO THE PANIC CIRCUIT OF ANY ALARM SYSTEM TO SIGNAL TAMPERING OF MORTISE KEYSWITCH.